

ARON Direct three-phase meter

MKB - 363 M

ARON - 400

Electronic three-phase energy meter with direct ARON connection for DIN rail mounting



Description

Electronic three-phase energy meter with direct ARON connection energy for DIN rails

Other features include:

- Mechanical 7 digit display: 6 whole numbers + 1 decimal
- Assembly on a 4 module DIN rail
- 2 digital outputs

Application

- Energy control in three-phase installations with no neutral where the efficient use of space is important, for example: installations with motors
- In applications with severe temperature conditions. The working life of the unit's mechanical display is not affected by high temperatures.

Features

Voltage circuit	400 Vac phase-phase $\pm 20\%$ (between L1-L3)
Consumption	4 V·A
Frequency	45..0.65 Hz
Current circuit (only phases L1 and L3)	
Nominal current (I_n)	63 Aac
Maximum current	90 Aac
Minimum current	0.4 % I_n
Maximum meter value	999,999.9 kWh
Accuracy	Class 2 - IEC 1036 and EN-61036
Maximum current	0,8%
Base current (IN)	0,8%
5% IN	1,4 %
Output transistor (optoisolated - open collector)	
Maximum switching voltage	35 Vdc
Maximum switching current	30 mA
Output time	4 imp / h
Energy output	100 impulses / kW·h
Impulse duration	100 ms
Ambient conditions	
Operating temperature	-10 ... +45 °C
Humidity (non-condensing)	25...75%
Build features	
Minimum display resolution	100 W·h
Type of box	Modular DIN rail. Self-extinguishing plastic
Degree of protection	IP 20
Dimensions	70 x 85 x 70 mm (4 modules)
Weight	300 g
Safety	
Designed for category II, in accordance with EN 61010	
Standards	
IEC-1036, EN-61036, EN 61010	

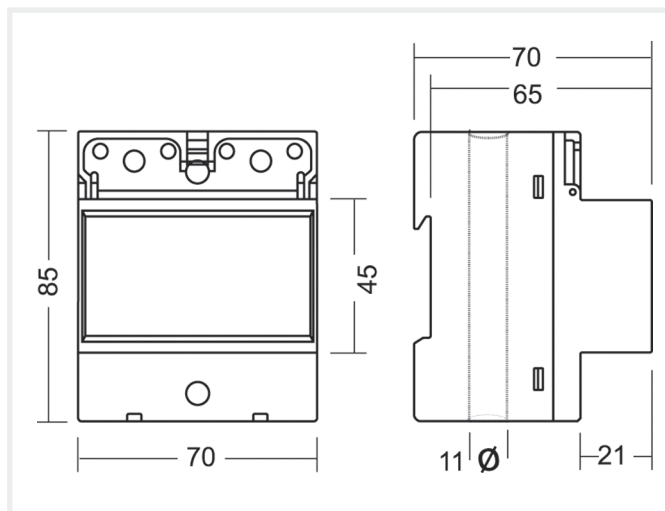
ARON Direct three-phase meter

MKB - 363 M
ARON - 400

Electronic three-phase energy meter with direct ARON connection for DIN rail mounting



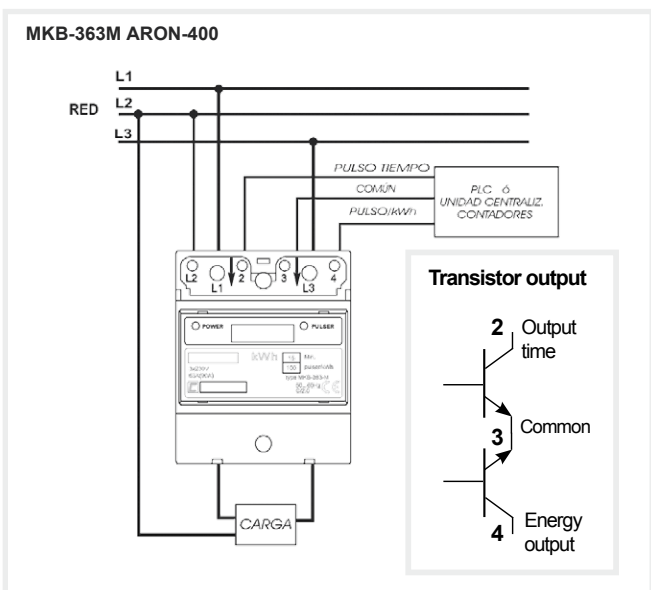
Dimensions



References

Parameters measured	Input range	Quadrants	Rates	Digital output	DIN Modules	Type	Code
kW-h	500 mA...120 A	2	1	2	4	MKB-363M ARON-400	M30310

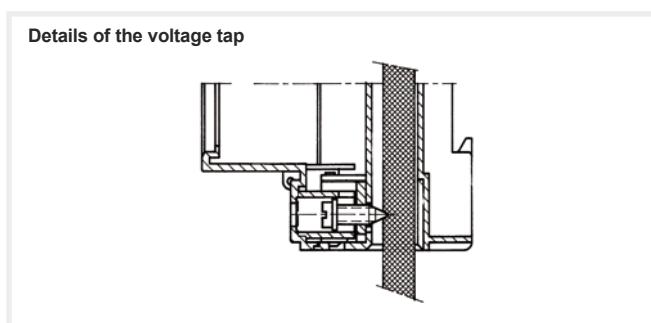
Connections



List of unit terminals

Number of number	Definition	Concept
L1	Voltage input Current input	Phase 1
L3	Voltage input Current input	Phase 3
L2	Voltage input	Phase 2 (Reference phase)
2	+	Impulse output time (optoisolated)
3	Common	-
4	+	Impulse energy output (optoisolated)

Diagram



Coding table

M	3	X	X	X	X	0	0	X
Code						Internal Code	↑	
Power supply voltage p-p	Standard (400 Vac)						0	
	230 Vac						2	