

RTC Modem

RTC Modem



Description

RTC modem, with 230 Vac power supply, cable to connect to the PC and it supports various data transmission types.

Application

Used to read meters with an analogue telephone line. Its direct connection to any RS-232 port of the meter can be used to receive calls for the control and download of data and meter records.

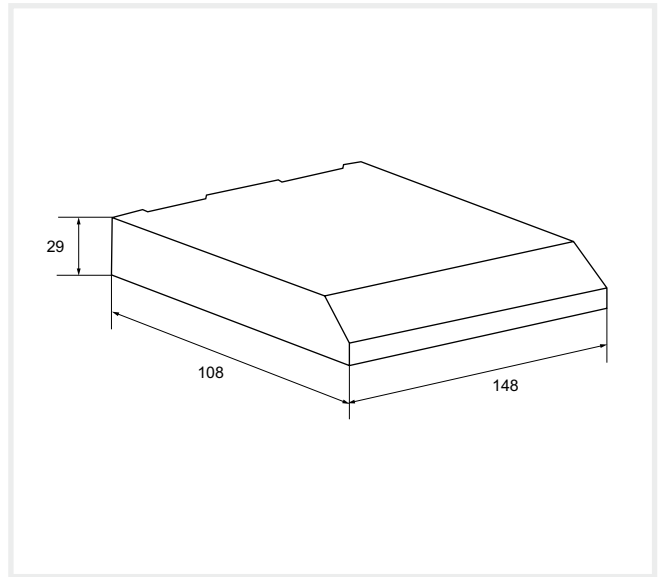
Features

Features	
Data speed (modem)	33 600, 31 200, 28 800, 26 400, 24 000, 19 200, 14 400, 11 200, 9 600, 7 200, 4 800, 2 400, 1 200 and 0 ... 300 bps
Data format (modem)	Series, binary and asynchronous
Conversion speed	Serial port speed adjustable to 300, 1 200, 2 400, 4 800, 9 600, 19 200, 38 400, 57 600 and 115 200 bps
Work mode	<i>Half or full duplex</i> mode, manual or automatic dialling and manual or automatic response
Flow control	XON / XOFF, <i>hardware</i> (RTS/CTS), HP (ENQ/ACK)
Programming	With HV commands
Transmission level	-13 dBm
Connectors	DB25 Connectors, two RJ-11 telephone connectors and a power supply connector, jack type
Cables	Cable with RJ-11 telephone connector, DB-25/DB-9 communications cable and external power supply cable
Indicators	Data transmission and reception LEDs Carrier Detect, 28,8 kbps, 14,4 kbps, 9600 bps, Off Hook, Terminal Ready, Error Correction, Fax
Manual control	Manual ON/OFF switch
Environment	Temperature range: 0 ... 50 °C (32 ... 120 °F) Humidity range: 20 ... 90 % (non-condensing)
Power supply	Voltage: 100 ... 130 Vac Frequency: 50 / 60 Hz Consumption: 0.1 A / 5 W
Dimensions	108 x 148 x 29 mm

RTC Modem

RTC Modem

Dimensions



References

Description	Type	Code
RTC Modem - certified by REE (includes power supply + cable)	RTC Modem (without parity)	Q30201IB
RTC Modem - certified by REE (includes power supply + cable)	RTC Modem (pair parity)	Q30201EN

Connections

