

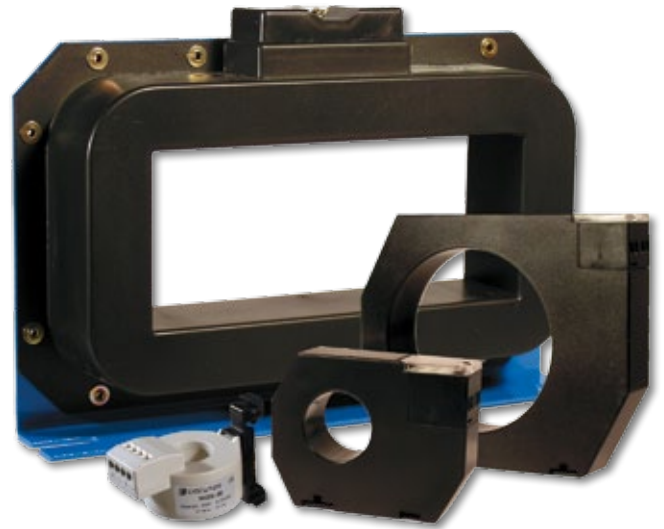
WG Series

WGP

Earth leakage Transformers of the WGP Series (only for CBS-8)

Description

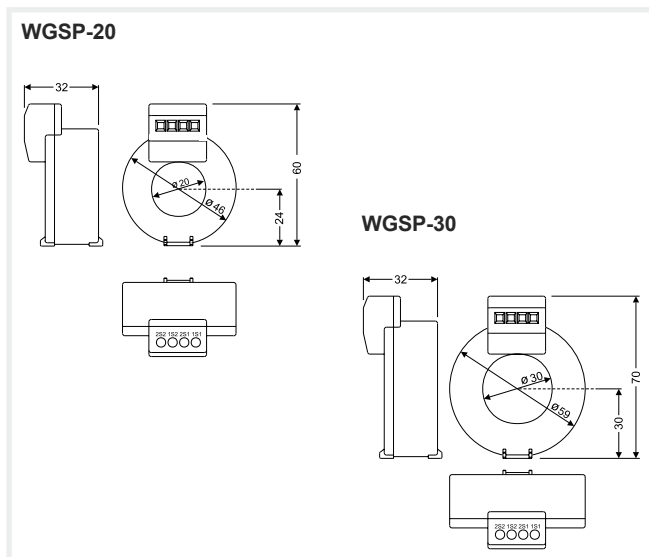
The earth leakage transformers of the **WGP** Series have been designed to work only with the **CBS-8** relay unit and a sensitivity of 0.3 ... 63 A. These transformers have a 1/5000 ratio.



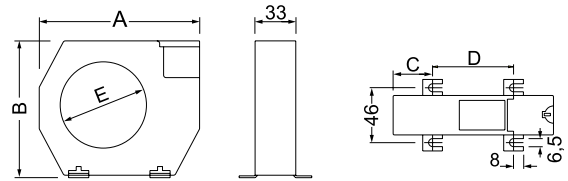
References

Useful diameter (mm)	Weight (g)	I_n (A)	Type	Code
20 Ø	76	0,3 ... 63	WGSP-20	P10141
30 Ø	95	0,3 ... 63	WGSP-30	P10142
35 Ø	181	0,3 ... 63	WGP-35	P10121
70 Ø	274	0,3 ... 63	WGP-70	P10122
105 Ø	545	0,3 ... 63	WGP-105	P10123
140 Ø	1 222	0,3 ... 63	WGP-140	P10124
210 Ø	2 040	0,3 ... 63	WGP-210	P10125
70 x 175	2 400	0,3 ... 63	WGP-70x175	P10126
115 x 305	5 450	0,3 ... 63	WGP-115x305	P10127
150 x 350	7 400	0,3 ... 63	WGP-150x350	P10128

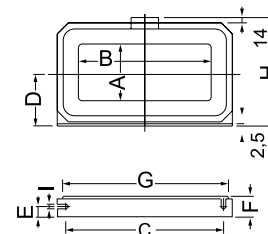
WGSP Dimensions



WGP Dimensions



Type	A	B	C	D	E
WGP-35	100	79	26	48,5	35
WGP-70	130	110	32	66	70
WGP-105	170	146	38	94	105
WGP-140	220	196	48,5	123	140
WGP-210	299	284	69	161	210



Type	A	B	C	D	E	F	G	H	I
WGP-70x175	70	175	225	85	22	46	261	176	7,5
WGP-115x305	115	305	360	116	25	55	402	240	8
WGP-150x350	150	350	415	140	28	55	460	285	8