

# GETEST

Indirect earth contact simulator



## Description

The **MPC-5/50 GETEST** unit can be used to measure the voltages between ground points (forward voltage) or earth and conductive parts (contact voltage) when there are leakage currents through earth. In Spain, these measurements are compulsory in substations and distribution centres, in compliance with MIE-RAT-13, BOE 183 of 01/08/94.

The tests are carried out by connecting the current generation system between different points that are far from an earth line, measuring the voltage between the two weights that are a metre apart (forward voltage) or between earth and accessible conductive parts. The current source is adjusted to the desired value with a PDA, displaying and storing the data measured.

- Forward and contact voltage measuring, based on current injection during a grid cycle (20 ms) (maximum usage safety).
- Earth resistance measurement.
- Provides up to 50 A with a 12 ohm load. Maximum output voltage of 600 Vac
- Maximum power equivalent to 30 kV·A, with a weight of only 45 kg.
- Remote control and display of the data measured with a PDA, with bluetooth connection to the equipment.
- Storage of data in the PDA, so it can be easily transferred to the PC.
- Voltage measurement with a resolution of 10 mV. Self-scale, up to 700 Aac
- Current measurement with a resolution of 10 mV. Self-scale up to 700 Aac

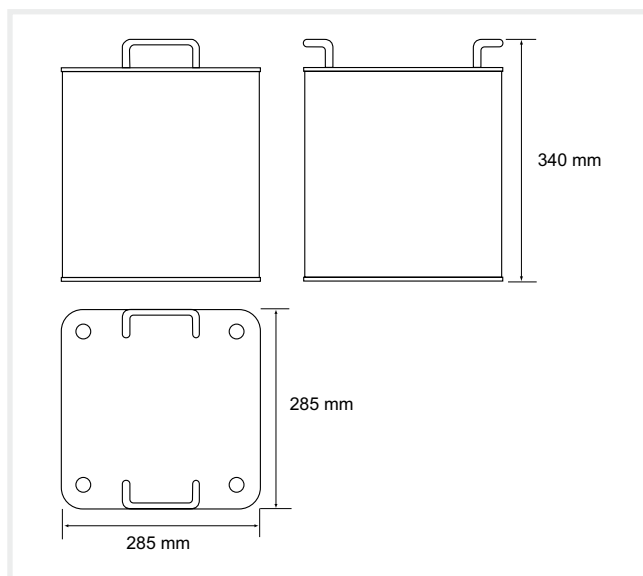
## Features

<b>Power supply</b>	
Voltage	Single-phase 230 Vac
Tolerance	±20 %
Frequency	50 ... 60 Hz
Current	15 Aac
<b>Current injection</b>	
Maximum current injected	Depending on the load and limited to 100 A 5 A with 120 Ω maximum 50 A with 12 Ω maximum
Maximum output voltage	600 Vac
Unit power	30 kVA
Maximum earthing resistance (including auxiliary earths)	Depending on the current injected R = 600 / I
<b>Measurement</b>	
Voltage measurement	Type: true RMS Input impedance: 10 MΩ or 1 kΩ, adjustable Resolution: • Scale 700 Vac = resolution 0.5 Vac • Scale 280 Vac = resolution 0.1 Vac • Scale 105 Vac = resolution 0.1 Aac • Scale 70 Vac = resolution 0.1 Vac • Scale 30 Vac = resolution 0.1 Vac • Scale 0.8 Vac = resolution 0.01 Vac Maximum voltage: 700 Vac Accuracy: 1% reading + 2 digits
Current measurement	Type: true RMS Input impedance: less than 0.1 Ω Resolution: • Scale 100 Aac = resolution 0.1 Aac • Scale 10 Aac = resolution 0.01 Aac Maximum current: 100 Aac Accuracy: 2 % reading / ± 2 digits
Resistance measurement	Range: 0 ... 120 Ω Accuracy: 2.5 % reading / ± 2 digits
<b>Construction features</b>	
Instrument dimensions	285 x 285 x 340 mm
Instrument weight	45 kg
Testing weight dimensions	170 Ø x 300 mm
Weight of the testing weights	2 x 25.5 kg
<b>Standards</b>	
MIE-RAT13, IEC 60348, IEC 60664, UNE 20553	

# GETEST

Indirect earth contact simulator

## Dimensions



## References

Description	Type	Code
Indirect earth contact simulator, from 5 ... 50 A	MPC-5/50 GETEST	P60123

In addition to the **MPC-5/50 GETEST**, this product includes: 1 PDA, 3 cable reels, Two 25 kg weights and a terrain resistance measurement gauge.

## Connections

### Connections and front elements

