

TR8

Multi-channel DC voltage and current analyzer



Description

It is extremely difficult to certify that a photovoltaic plant is at its peak performance without having control of the primary power generation sources that would certify it. **TR8** has been specifically designed to control string in photovoltaic plants; it knows the level of current generated in the different groups in real time, and therefore knows the current flowing through the external sensors.

Application

- Application of photovoltaic string control, up to 8 strings.

Features

Power supply	Alternating C.	Direct C.	
Nominal voltage	230 Vac	24 Vdc =	
Power supply tolerance	± 30 %	± 10 %	
Frequency	50 Hz	-	
Consumption of the equipment without transformers	8 mA / 1.84 V•A	70 mA	
Consumption of the equipment with 8 sensors (no load)	32 mA / 7.36 V•A	270 mA	
Consumption of the equipment with 8 sensors (with current)	32 mA / 7.36 V•A	270 mA	
Operating conditions			
Operating temperature	-35...+65°C		
Relative humidity	5... 95% RH (non-condensing)		
Maximum operating altitude	2,000 metres		
Protection	IP 20		
TR8-RS-485 precision			
Linearity Error	± 0.1 %	Offset Error	0.075 % I_n
Total Error	± 0.5 % I_n	Range	2,5 100% I_n
Resolution Error	± 0.075 % I_n	Voltage Error	1 %
Transformer precision			
Linearity Error (not including offset)	± 0.5%	Offset Drift / Temp.	±1 mV / °C
Offset Error 25°C	±10 mV a $I_n=0$	Thermal Gain Drift	±0.05 % / °C
Safety			
Category III – 300 Vac (EN61010)			
Double-insulated electric shock protection class II			

TR8

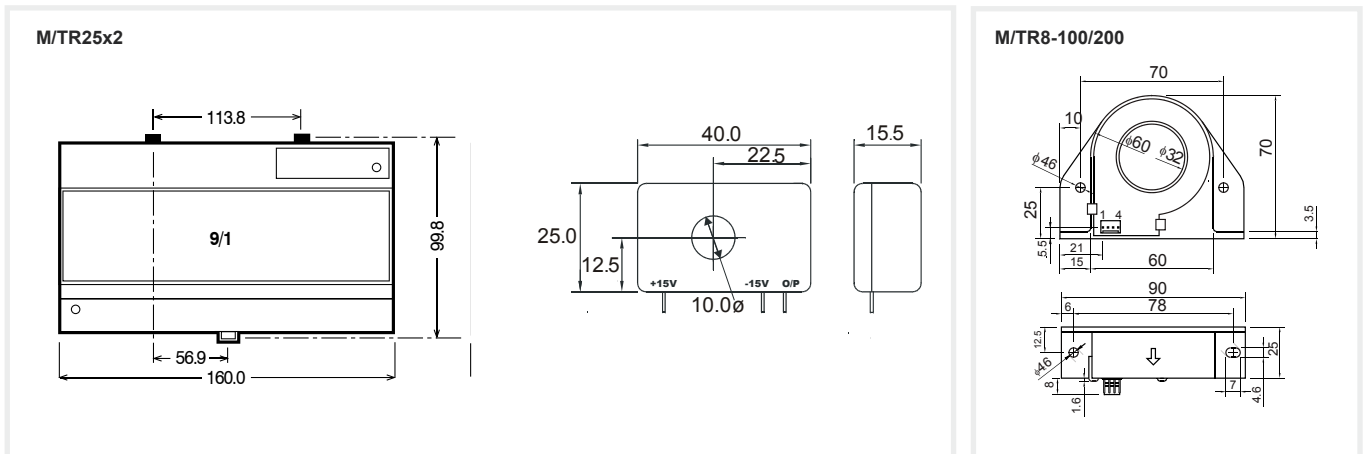
Multi-channel DC voltage and current analyzer



References

Current	Output	Communications	Description	Type	Code
Equipment, up to 25 A					
25 A	8	RS-485 Modbus/RTU	8 25 A _{dc} channels Connection of up to 2 M/TR8-25A _{x4} (8 channels) Voltage measurement of 1000 V _{dc} 8 voltage-free digital inputs	TR8-RS-485-25	M54600
Equipment, up to 100 / 200 A					
Depends on transformer	8	RS-485 Modbus/RTU	8 100 A _{dc} channels Connection of up to 8 M/TR8-100A or M/TR8-200A One 1000 V _{dc} voltage input 8 voltage-free digital inputs	TR8-RS-485-100/200	M54601
Measurement modules					
2 circuits 25 A				M/TR-25A x2	M54606
4 circuits 25 A				M/TR-25A x4	M54602
1 circuit 100 A Ø32 mm				M/TR-100A	M54603
1 circuit 100 A Ø28 mm				M/TR-100A-CC-28Ø	M54604
1 circuit 200 A				M/TR-200A	M54605

Dimensions



Connections

