

Overcurrent and earth leakage protection and self-reclosing

WRGU-10 MTT

Complete protection and reclosing unit
Earth leakage and circuit breaker

Description

The **WRGU-10 MTT** compact assembly forms a self-reclosing circuit breaker (overload and short-circuit) and earth leakage protection system in single-phase or three-phase electrical installations with a neutral of up to 63 A.

The assembly is composed of the following elements:

- Earth leakage relay for protection, with **RGU-10 MTT** self-reclosing function
- **MP-T** series motorized circuit breaker as an overload and short-circuit protection element, and as a circuit breaker in earth leakage protection
- **WGC** earth leakage transformer, earth leakage sensor for earth leakage protection
- Remote switch, for resets and external manual reclosures

Application

The **WRGU-10 MTT** groups can be used to make safety compatible with the continuity of the service in remote installations or installations with more complicated maintenance. They ensure earth leakage (mandatory) and circuit breaker protection, guaranteeing self-reclosing for either of the two reasons.

It is a very good solution in installations in special locations that are hard to control and monitor: telephony installations, television repeaters, refrigerating chambers, etc.

- Telephony systems
- DTT systems
- Industrial refrigerating chambers

Features

Protection	Earth leakage
Class	A (IEC 60755) ultra-immunized
Measure	True root mean square (TRMS)
Adjustable sensitivity	0.03 / 0.1 / 0.3 / 0.5 A
Adjustable trip delay	INS / SEL Curve
Test and Reset	Using buttons T and R
Protection	Circuit breaker
Associated circuit breaker	MP-T motorized circuit breaker
Current I_n	6-10-16-20-25-32-40-50-63 A
Number of poles	2 / 4
Rated voltage U_n	240 / 415 V _{ac}
Trip curve	C
Cut off power (EN 60898)	10 kA
Reclosure	Earth Leakage
Number of reclosures	15
Time between reclosures	20 s, 40 s and the rest 3 minutes
RESET time	15 minutes
Reclosure	Circuit breaker
Number of reclosures	2
Time between reclosures	3 minutes
RESET time	15 minutes
External signalling	
LED	<ul style="list-style-type: none"> • Presence of voltage • Leakage trip • Timing between reclosing system attempts
Display, LCD	<ul style="list-style-type: none"> • Instantaneous leakage value • Trip leakage value • Reclosure energy meter • Programming values • Protection statuses
Remote	Voltage-free, auxiliary contact output, of locking status (reclosing not enabled)
External inputs	
Remote ON / OFF	Trip / reset
Remote RESET	Relay reset without activating the circuit breaker
Electrical features	
Auxiliary power supply	230 V _{ac} operating voltage for the power supply of the components
Potential free outputs	Contacts with external power supplies of up to 230 V can be used
Maximum current in output contacts	5 A _{ac}
Voltage-free input	Activation by switches or buttons
Standards	
IEC 60947-2, IEC 60755	

Overcurrent and earth leakage protection and self-reclosing

WRGU-10 MTT

Complete protection and reclosing unit
Earth leakage and circuit breaker



References



2 poles		
I_n (A)	Type	Code
6	WRGU-10-MTT-C-2-6 A	P21810
10	WRGU-10-MTT-C-2-10 A	P21811
16	WRGU-10-MTT-C-2-16 A	P21812
20	WRGU-10-MTT-C-2-20 A	P21813
25	WRGU-10-MTT-C-2-25 A	P21814
32	WRGU-10-MTT-C-2-32 A	P21815
40	WRGU-10-MTT-C-2-40 A	P21816
50	WRGU-10-MTT-C-2-50 A	P21817
63	WRGU-10-MTT-C-2-63 A	P21818

Other currents: On demand

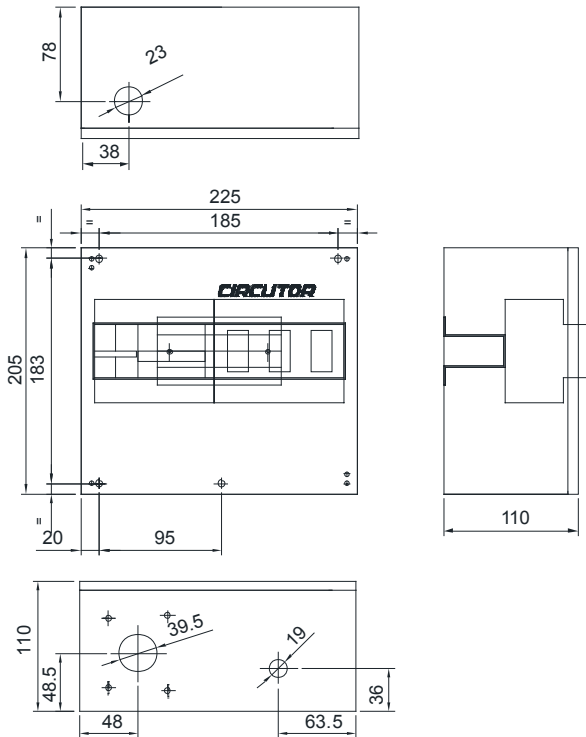


4 poles		
I_n (A)	Type	Code
6	WRGU-10-MTT-C-4-6 A	P21820
10	WRGU-10-MTT-C-4-10 A	P21821
16	WRGU-10-MTT-C-4-16 A	P21822
20	WRGU-10-MTT-C-4-20 A	P21823
25	WRGU-10-MTT-C-4-25 A	P21824
32	WRGU-10-MTT-C-4-32 A	P21825
40	WRGU-10-MTT-C-4-40 A	P21826
50	WRGU-10-MTT-C-4-50 A	P21827
63	WRGU-10-MTT-C-4-63 A	P21828

Other currents: On demand

Dimensions

WRGU-10 MTT, 2 poles



WRGU-10 MTT, 4 poles

