

Current transformers with converter

TCM 420

Current transformer for DIN rails with built-in converter



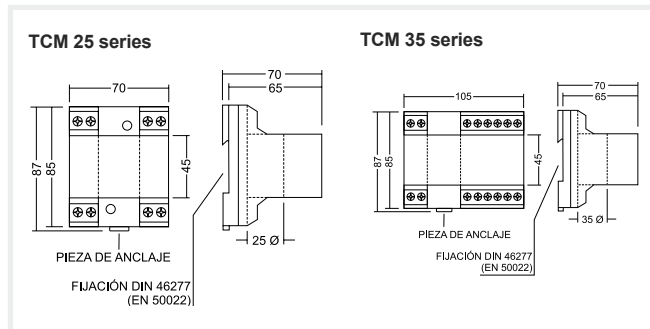
Description

- Built-in internal output power supply
- Needs an auxiliary power supply of 230 V ac
- Primary current: from 2.5 to 300 A ac, depending on the type
- Secondary current: 4...20 mA
- Internal diameter: from 25 to 35 mm, depending on the type
- Busbar dimensions: from 25 to 35 mm, depending on the type

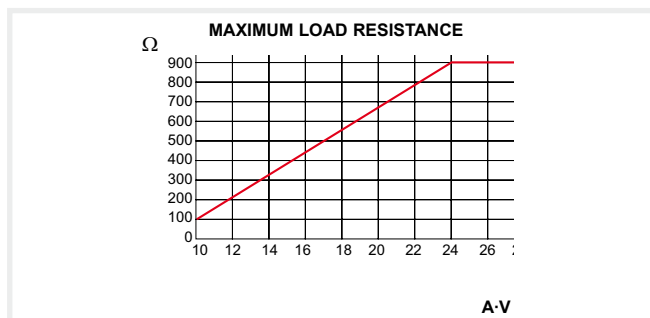
Application

Used in power lines to obtain a current proportional to the primary current rated at 4...20 mA in the secondary

Dimensions



Graph



Features

Frequency	50 / 60 Hz
Highest current in the material	0.72 kV ac
Overloads (at room temperature)	1.5 I _n permanent
Accuracy class	±1.5% I _n
Operating temperature	-10°...+50 °C
Standards	IEC 44-1, UNE 21 088-1, IEC 664, VDE0110, VDE0414, UL 94, IEC 1010-1, EN 61010-1

References

Type	TCM -420 25 (*)	TCM -420 35 (*)
inner Ø (mm) Busbar	25	35
Dimensions (mm)		
	a	87
	b	70
	c	70
A	internal power supply output 4...20 mA (230 V ac auxiliary power supply)	
	Code	Code
2,5	[*] M71041	
5	[*] M71042	
10	[*] M71043	
20	[*] M71044	
50	[*] M71045	
100	[*] M71046	[2] M71054
200	[*] M71047	[*] M71055
300		[2] M71056

For greater currents, use: transformer + converter