

CQ

Low voltage three-phase power capacitors

**Description**

The **CQ** dry-type prismatic capacitor range covers all power and voltage requirements, from 50 to 60 Hz.

The design, manufacturing and testing processes of prismatic capacitors guarantee the production of top quality and long lasting capacitors.

The 4 internal protection levels (self-regulation of the internal fuse, protection cover and vermiculite) make prismatic capacitors the safest units in the market.

Application

Its application is based on the compensation in installations with fixed and variable loads (capacitor banks).

Features

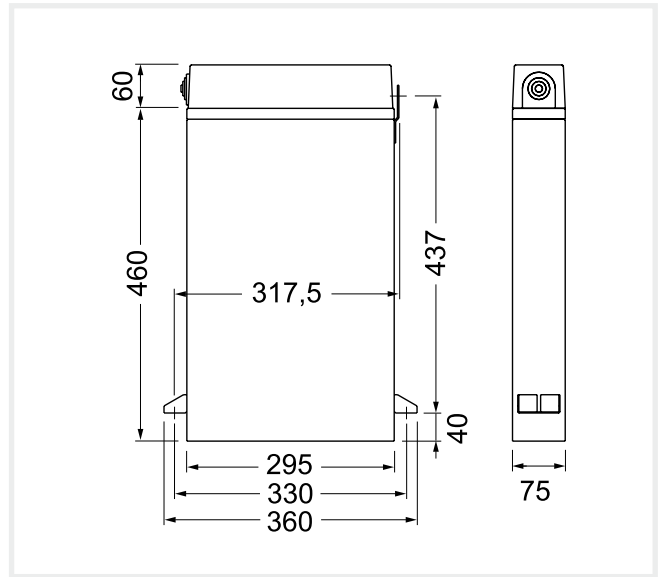
Features		
Overcurrent		1.3 times the rated current permanently
Overvoltage		10 % 8 over 24 hours 15 % up to 15 minutes over 24 hours 20 % up to 5 minutes over 24 hours 30 % up to 1 minute over 24 hours
Insulation level		3 / 15 kV
Power tolerance		-5...+15 %
Discharge resistance		75 V / 3 minutes
Frequency		50 or 60 Hz
Losses:	<ul style="list-style-type: none"> • Dielectric • Total 	< 0.2 W / kvar < 0.5 W / kvar
Protections		<ul style="list-style-type: none"> • Dielectric regeneration • Internal fuse • Overpressure system • Vermiculite
Construction features		
Enclosure		Treated and painted steel, colour RAL 3005
Terminals:	<ul style="list-style-type: none"> • Power rating • Earth 	<ul style="list-style-type: none"> • M6 for CV, M10 for CQ, CSB, CSB-6B, CFB, CFB-6B • M6
Torque value		<ul style="list-style-type: none"> • CV 5 Nm • CQ, CSB, CSB-6B, CFB, CFB-6B: 15 Nm
Degree of protection		IP 42 with terminal cover
Ambient conditions		
Class C temperature:	Daily mean	40 °C
	Annual mean	30 °C
	Maximum	50 °C
	Minimum	-40 °C
Humidity		80 %
Altitude		2,000 m
Assembly conditions		
Type of assembly		Vertical
Ventilation		Natural or forced, depending on the cabinet design
Distance between capacitors		Minimum, 4 cm
Weight		0.4 kg
Standards		
CEI 60831-1, CEI 70/7, UNE 20827, UNE 20010, BS 1650, VDE 560		

CQ

Low voltage three-phase power capacitors



Dimensions



References

230 V

kvar		Weight (kg)	Dim. (mm) width x height x depth	Type	Code
50 Hz	60 Hz				
10	12,5	4,9	360 x 520 x 75	CQ-23/10	R2031C
12,5	15	4,9	360 x 520 x 75	CQ-23/12.5	R2031D
15	17,5	4,9	360 x 520 x 75	CQ-23/15	R2031E
20	25	6,4	360 x 520 x 75	CQ-23/20	R2031F
25	30	7,9	360 x 520 x 75	CQ-23/25	R2031G
30	35	7,9	360 x 520 x 75	CQ-23/30	R2031H

400 V

kvar		Weight (kg)	Dim. (mm) width x height x depth	Type	Code
50 Hz	60 Hz				
10	12,5	4	360 x 520 x 75	CQ-40/10	R2033C
12,5	15	4,5	360 x 520 x 75	CQ-40/12.5	R2033D
15	17,5	5	360 x 520 x 75	CQ-40/15	R2033E
20	25	6	360 x 520 x 75	CQ-40/20	R2033F
25	30	6	360 x 520 x 75	CQ-40/25	R2033G
30	35	6	360 x 520 x 75	CQ-40/30	R2033H
40	50	7	360 x 520 x 75	CQ-40/40	R2033J
50	60	9	360 x 520 x 75	CQ-40/50	R2033K

440 V

kvar		Weight (kg)	Dim. (mm) width x height x depth	Type	Code
50 Hz	60 Hz				
15	17,5	4,1	360 x 520 x 75	CQ-44/15	R2034E
20	25	4,9	360 x 520 x 75	CQ-44/20	R2034F
25	30	4,9	360 x 520 x 75	CQ-44/25	R2034G
30	35	4,9	360 x 520 x 75	CQ-44/30	R2034H
40	50	6	360 x 520 x 75	CQ-44/40	R2034J
50	60	7,9	360 x 520 x 75	CQ-44/50	R2034K

460 V

kvar		Weight (kg)	Dim. (mm) width x height x depth	Type	Code
50 Hz	60 Hz				
10	12,5	4,1	360 x 520 x 75	CQ-46/10	R2035C
12,5	15	4,1	360 x 520 x 75	CQ-46/12.5	R2035D
15	17,5	4,1	360 x 520 x 75	CQ-46/15	R2035E
20	25	4,9	360 x 520 x 75	CQ-46/20	R2035F
25	30	4,9	360 x 520 x 75	CQ-46/25	R2035G
30	35	4,9	360 x 520 x 75	CQ-46/30	R2035H
40	50	7,9	360 x 520 x 75	CQ-46/40	R2035J
50	60	7,9	360 x 520 x 75	CQ-46/50	R2035K
60	-	8,1	360 x 520 x 75	CQ-46/60	R2035L