

WG Series

# WG

WG Series Earth Leakage transformers

### Description

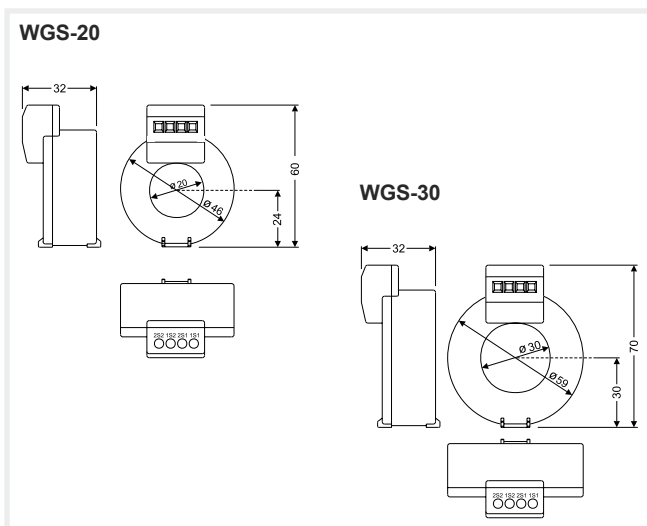
The earth leakage transformers of the **WG** Series have been designed to work with the relays of the **WG** Series. The sensitivity (trigger current) of the transformer-relay set is established by the associated relay.



### References

Useful diameter (mm)	Weight (g)	$I_n$ (A)	Type	Code
20 Ø	76	acc. relay	WGS-20	P10131
30 Ø	95	acc. relay	WGS-30	P10132
35 Ø	181	acc. relay	WG-35	P10111
70 Ø	274	acc. relay	WG-70	P10112
105 Ø	545	acc. relay	WG-105	P10113
140 Ø	1 222	acc. relay	WG-140	P10114
210 Ø	2 040	acc. relay	WG-210	P10115
70 x 175	2 400	acc. relay	WG-70x175	P10116
115 x 305	5 450	acc. relay	WG-115x305	P10117
150 x 350	7 400	acc. relay	WG-150x350	P10118
200 x 500	13 400	acc. relay	WG-200x500	P10119

### WGS Dimensions



### WG Dimensions

Type	A	B	C	D	E
WG-35	100	79	26	48,5	35
WG-70	130	110	32	66	70
WG-105	170	146	38	94	105
WG-140	220	196	48,5	123	140
WG-210	299	284	69	161	210

Type	A	B	C	D	E	F	G	H	I
WG-70X175	70	175	225	85	22	46	261	176	7,5
WG-115X305	115	305	360	116	25	55	402	240	8
WG-150X350	150	350	415	140	28	55	460	285	8

Type	A	B	C	D	E	F	G	H	I
WG-200X500	200	500	-	140	-	62	585	285	-