

TRMC

Current transformers for meters with source verification



Description

Current transformers used in Low Voltage installations, in applications with official measurements and used to bill energy, since they comply with the specifications of the Spanish electricity companies. Resin is used as an exterior insulation element to provide a set of characteristics that increase the quality of the transformer when compared to other conventional insulation systems.

The most important properties of this type of insulation are:

- High mechanical resistance
- Great dielectric strength
- Self-extinguishing (VO Degree)
- Tropicalization
- Impossibility of tampering with the transformer, preventing any form of access to the internal elements.

Application

Current transformers for energy meters. Used in Low Voltage installations.

Features

Features	TRMC 210	TRMC 400
Class	0.5 / 10 V·A - 0.5S / 2,5 V·A - 0.5S / 10 V·A	0.5 / 10 V·A - 0.5S / 10 V·A
Encapsulation	In resin (wound primary)	In resin (bus bar)
Maximum operating voltage	0.72 kVac	0.72 kVac
Primary current	100 ... 600 A	800 ... 1,500 A
Secondary current	5 A	5 A
Insulation voltage	3 kV	3 kV
Safety factor	$S_F < 5$	$S_F < 5$
Frequency	50 / 60 Hz	50 / 60 Hz
Thermal class	B	B
Thermal short-circuit current	$I_{th} = 60 I_n$	$I_{th} = 60 I_n$
Dynamic current	$I_{dyn} = 2.5 I_{th}$	$I_{dyn} = 2.5 I_{th}$
Dimensions (mm)	145 x 11 x 48	160 x 99 x 68
Weight (kg)	2,5 VA: 1,5 kg 10 VA: 1,6 kg	2,5 VA: 1,4 kg 10 VA: 1,5 kg
Standards	IEC 60044-1, UNE EN 60011-1	

TRMC

Current transformers for meters with source verification



References

kit 3-TRMC 210, Set of 3 current transformers for energy meters

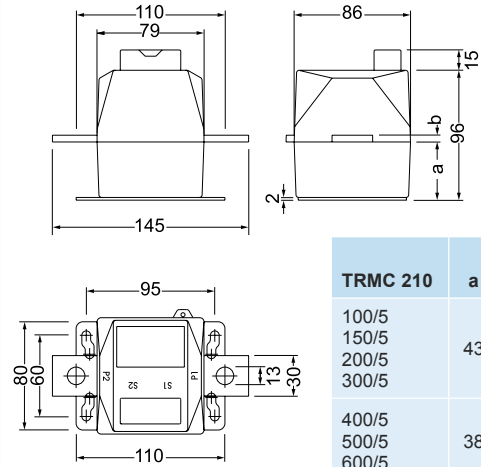
A	Class 0,5S	Code	Class 0,5	Code	Class 0,5S	Code
	V-A		V-A		V-A	
100/5	10	[*] Q3090101	10	[*] Q3096101	2,5	[*] Q3098101
150/5	10	[*] Q3090201	10	[*] Q3096201	2,5	[*] Q3098201
200/5	10	[*] Q3090301	10	[*] Q3096301	2,5	[*] Q3098301
300/5	10	[*] Q3090401	10	[*] Q3096401	2,5	[*] Q3098401
400/5	10	[*] Q3090501	10	[*] Q3096501	2,5	[*] Q3098501
500/5	10	[*] Q3090601	10	[*] Q3096601	2,5	[*] Q3098601
600/5	10	[*] Q3090701	10	[*] Q3096701	2,5	[*] Q3098701

kit 3-TRMC 400, Set of 3 current transformers for energy meters

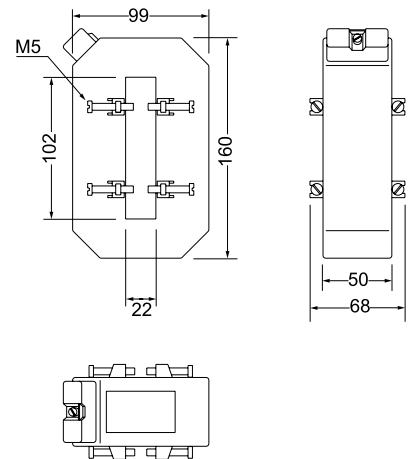
A	Class 0,5S	Code	Class 0,5	Code	Class 0,5S	Code
	V-A		V-A		V-A	
750/5	10	[3] Q3091101	10	[3] Q3097101	2,5	[*] Q309A101
1 000/5	10	[3] Q3091201	10	[3] Q3097201	2,5	[*] Q309A201
1 500/5	10	[3] Q3091301	10	[3] Q3097301	2,5	[*] Q309A301
2 000/5	10	[*] Q3091401	10	[*] Q3097401	2,5	[*] Q309A401

Dimensions

TRMC 210



TRMC 400



Connections

