

CV

Low voltage three-phase power capacitors



Description

The **CV** dry-type prismatic capacitor range covers all power and voltage requirements, from 50 to 60 Hz.

The design, manufacturing and testing processes of tubular capacitors guarantee the production of top quality and long lasting capacitors.

The 4 internal protection levels (self-regulation of the internal fuse, protection cover and vermiculite) make prismatic capacitors the safest units in the market.

Application

Its application is based on the compensation in installations with fixed and variable loads (capacitor banks).

Features

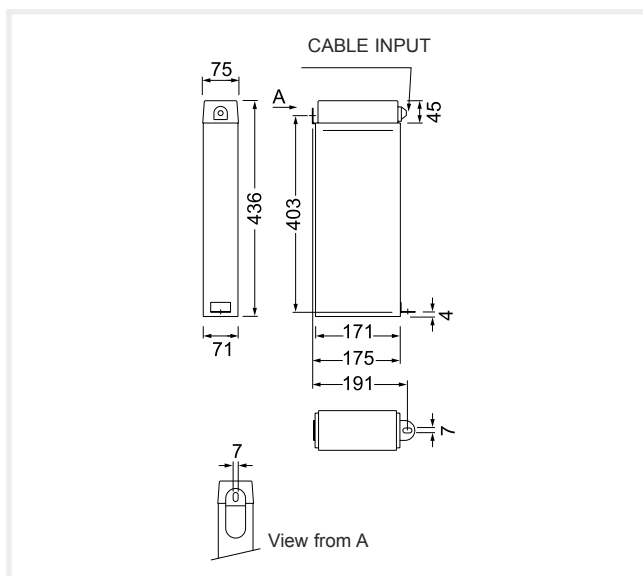
Features		
Overcurrent		1.3 times the rated current permanently
Overvoltage		10 % 8 over 24 hours 15 % up to 15 minutes over 24 hours 20 % up to 5 minutes over 24 hours 30 % up to 1 minute over 24 hours
Insulation level		3 / 15 kV
Power tolerance		-5...+15 %
Discharge resistance		75 V / 3 minutes
Frequency		50 or 60 Hz
Losses:	<ul style="list-style-type: none"> • Dielectric • Total 	< 0.2 W / kvar < 0.5 W / kvar
Protections		<ul style="list-style-type: none"> • Dielectric regeneration • Internal fuse • Overpressure system • Vermiculite
Construction features		
Enclosure		Treated and painted steel, colour RAL 3005
Terminals:	<ul style="list-style-type: none"> • Power rating • Earth 	<ul style="list-style-type: none"> • M6 for CV, M10 for CQ, CSB, CSB-6B, CFB, CFB-6B • M6
Torque value		<ul style="list-style-type: none"> • CV 5 Nm • CQ, CSB, CSB-6B, CFB, CFB-6B: 15 Nm
Degree of protection		IP 42 with terminal cover
Ambient conditions		
Class C temperature:	Daily mean	40 °C
	Annual mean	30 °C
	Maximum	55 °C
	Minimum	-40 °C
Humidity		80 %
Altitude		2,000 m
Assembly conditions		
Type of assembly		Vertical
Ventilation		Natural or forced, depending on the cabinet design
Distance between capacitors		Minimum, 4 cm
Weight		0.4 kg
Standards		
CEI 60831-1, CEI 70/7, UNE 20827, UNE 20010, BS 1650, VDE 560		

CV

Low voltage three-phase power capacitors



Dimensions



References

230 V

kvar		Weight (kg)	Dim. (mm) width x height x depth	Type	Code
50 Hz	60 Hz				
2,5	3	3	204 x 435 x 75	CV-23/2.5	R20114
3,75	4,5	3,5	204 x 435 x 75	CV-23/3.75	R20116
5	6	3,5	204 x 435 x 75	CV-23/5	R20118
7,5	9	4	204 x 435 x 75	CV-23/7.5	R2011A
10	12,5	4	204 x 435 x 75	CV-23/10	R2011C
12,5	15	4,5	204 x 435 x 75	CV-23/12.5	R2011D
15	17,5	4,5	204 x 435 x 75	CV-23/15	R2011E

400 V

kvar		Weight (kg)	Dim. (mm) width x height x depth	Type	Code
50 Hz	60 Hz				
2,5	3	2,5	204 x 435 x 75	CV-40/2.5	R20134
5	4,5	2,5	204 x 435 x 75	CV-40/5	R20138
7,5	9	3	204 x 435 x 75	CV-40/7.5	R2013A
10	12,5	3	204 x 435 x 75	CV-40/10	R2013C
12,5	15	3,5	204 x 435 x 75	CV-40/12.5	R2013D
15	17,5	4,5	204 x 435 x 75	CV-40/15	R2013E
20	25	4,5	204 x 435 x 75	CV-40/20	R2013F
25	30	6,5	204 x 435 x 75	CV-40/25	R2013G

440 V

kvar		Weight (kg)	Dim. (mm) width x height x depth	Type	Code
50 Hz	60 Hz				
2,5	3	2	204 x 435 x 75	CV-44/2.5	R20144
5	4,5	2	204 x 435 x 75	CV-44/5	R20148
7,5	9	2,5	204 x 435 x 75	CV-44/7.5	R2014A
10	12,5	2,5	204 x 435 x 75	CV-44/10	R2014C
12,5	15	3	204 x 435 x 75	CV-44/12.5	R2014D
15	17,5	4	204 x 435 x 75	CV-44/15	R2014E
20	25	4	204 x 435 x 75	CV-44/20	R2014F
25	30	6	204 x 435 x 75	CV-44/25	R2014G
30	35	6,5	204 x 435 x 75	CV-44/30	R2014J

460 V

kvar		Weight (kg)	Dim. (mm) width x height x depth	Type	Code
50 Hz	60 Hz				
2,5	3	1	204 x 435 x 75	CV-46/2.5	R20154
5	6	1	204 x 435 x 75	CV-46/5	R20158
7,5	9	1,5	204 x 435 x 75	CV-46/7.5	R2015A
10	12,5	1,5	204 x 435 x 75	CV-46/10	R2015C
12,5	15	2	204 x 435 x 75	CV-46/12.5	R2015D
15	17,5	3	204 x 435 x 75	CV-46/15	R2015E